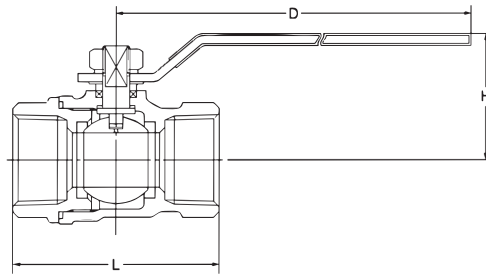


**Fig. ST**



**Class 400**



**Dimensions**

size	mm inch	8	10	15	20	25	32	40	50
		1/4	3/8	1/2	3/4	1	1 1/4	1 1/2	2
L		46	51	57	65	76	86	95	115
H		38	38	42	49	52	57	63	68
D		80	80	100	130	130	130	130	150

W.O.G. at Room temp .....2.75MPa(28kgf/cm<sup>2</sup>)  
Saturated steam .....0.98MPa(10kgf/cm<sup>2</sup>)

- Use for lubricating or hydraulic oil is acceptable.

**Test pressure**

Body	4.12MPa (42kgf/cm <sup>2</sup> ) [hydrostatic]
Seat	0.59MPa (6kgf/cm <sup>2</sup> ) [air]

**Materials**

Parts	JIS material
Body	FCD-S*1
Cap	FCD-S*1
Ball	C3771BE*2
Stem	K-Metal*5
Gland packing	PTFE
Ball seat	Reinforced PTFE
Gland	C3604BD*1
Gasket	PTFE
Handle nut	SS 400*3
Handle	SUS 430*4

\*1 Zinc electroplated

\*2 Ni + Cr electroplated

\*3 Zinc dicromate electroplated

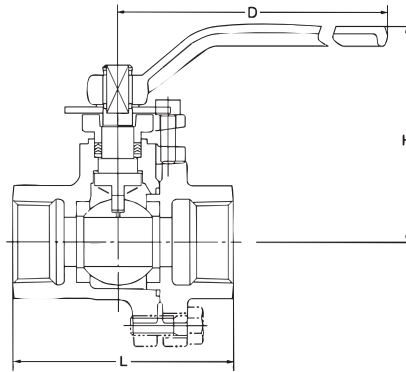
\*4 Plastic covering

\*5 K-Metal is special brass developed for anti-dezincification

**Fig. 20ST**



**Class JIS20K**



**Dimensions**

size	mm inch	15	20	25	32	40	50
		1/2	3/4	1	1 1/4	1 1/2	2
L		75	80	90	105	115	130
H		106	106	107	129	133	114
D		130	130	130	160	160	230

110°C W.O.G. ....2.75MPa(28kgf/cm<sup>2</sup>)  
140°C W.O.G. ....1.96MPa(20kgf/cm<sup>2</sup>)

- Use for lubricating or hydraulic oil is acceptable.

**Test pressure**

Body	4.12MPa (4.4kgf/cm <sup>2</sup> ) [hydrostatic]
Seat	0.59MPa (6kgf/cm <sup>2</sup> ) [air]

**Materials**

Parts	JIS material
Body	FCD-S
Body Cap	FCD-S
Stem	SUS 403
Ball	SUS 304 / SCS 13A
Gland	FCD 400
Gland packing	PTFE
Gasket	PTFE
Ball seat	HYPATITE PTFE
O ring*	NBR
Gland bolt	SCM 435
Cap bolt	S45C
Handle	FCD 400

**Fig. 10STBF**

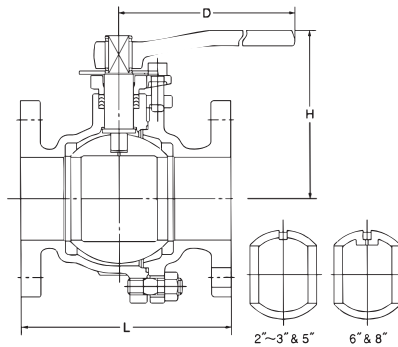


**Class JIS10K**

**Test pressure**

Body	2.06MPa (21kgf/cm <sup>2</sup> ) [hydrostatic]
Seat	0.59MPa (6kgf/cm <sup>2</sup> ) [air]

- Use for lubricating or hydraulic oil is acceptable.



**Maximum Service Pressure**

Code	Valve size	Temperature	Pressure
10STBF	All size	120°C	1.37MPa
		W.O.G.	(14kgf/cm <sup>2</sup> )
	4" AND SMALLER	160°C	0.98MPa
		W.O.G.	(10kgf/cm <sup>2</sup> )
		140°C	0.98MPa
5" TO 8"	W.O.G.	(10kgf/cm <sup>2</sup> )	

**Materials**

Parts	JIS material
Body	FCD-S
Body cap	FCD-S
Stem	SUS 403
Ball	SUS 304/SCS 13A/SUS 304TP
Gland	FCD 400
Gland packing	PTFE
Handle	FCD 400
Gasket	PTFE
Packing washer	SUS 304 (1/2"-1 1/4")
Ball seat	HYPATITE PTFE
Cap bolt / nut	SS 400
Gland bolt	SCM 435
Stopper	SUS 430

**Dimensions**

size	mm inch	15	20	25	32	40	50	65	80	100	125	150	200
		1/2	3/4	1	1 1/4	1 1/2	2	2 1/2	3	4	5	6	8
L		108	117	127	140	165	178	190	203	229	356	394	457
H		106	109	130	135	115	120	153	162	199	219	293	352
D		130	130	160	160	230	230	400	400	460	460	1000	1500